

# ELEVAH<sup>®</sup> 80ES and 65ES MOVE

These aerial platforms are compact, sturdy as well as reliable, allow to make maintenance activities at height up to 7,56 m and 6,7 m.

EXTENSIBLE SELF PROPELLED PLATFORMS ELEVAH 80ES and 65ES MOVE



80ES M

65ES M



COLUMNS AND CAGE  
ARE OF ALUMINIUM



### NEW BASKET

Renewed basket to grant more comfort, stability and safety.



### SAFETY FIRST

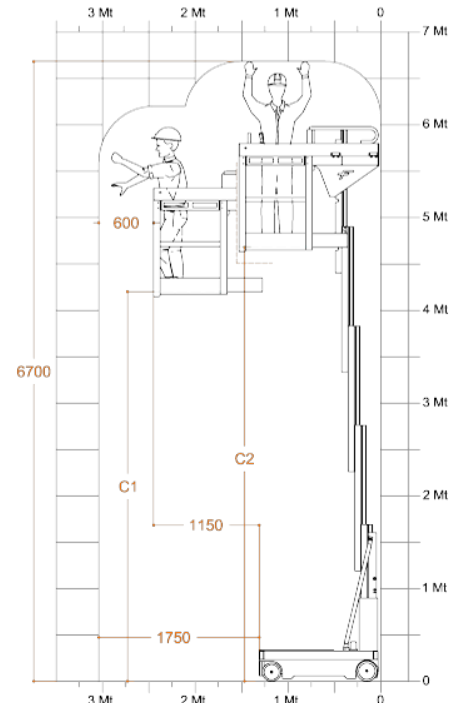
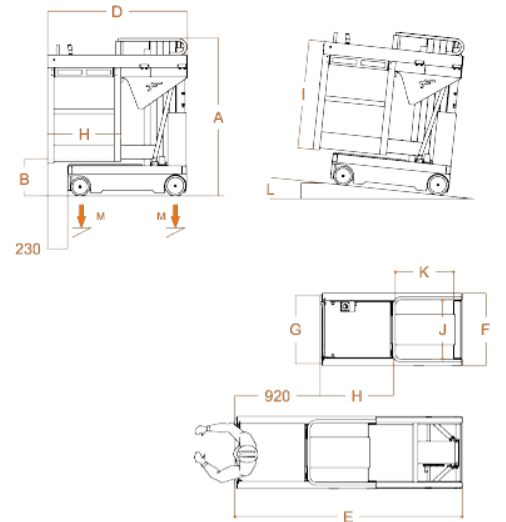
- Automatic cage locking.
- Anti-tilting device.
- Electronic slope monitoring.
- Electronic braking system.
- Overload monitoring
- Emergency hydraulic lowering.

EXTENSIBLE SELF PROPELLED PLATFORMS ELEVAVH 80ES and 65ES MOVE

# ELEVAH<sup>®</sup> 65ES MOVE



|  |   |                                |
|--|---|--------------------------------|
| Max. working height  |   | 6,7 m                          |
| Max capacity   |   | 200 kg                         |
| Number of people   |   | 1                              |
| Use  |   | Internal                       |
| <b>A</b>   | Closed machine height                       | 1720 mm                        |
| <b>B</b>   | Minimum platform height                     | 400 mm                         |
| <b>C1</b>  | Maximum platform height for basket rotation | 4200 mm                        |
| <b>C2</b>  | Maximum platform height with closed basket  | 4680 mm                        |
| <b>D</b>   | Base overall dimensions                     | 1530 mm                        |
| <b>E</b>   |   | 2430 mm                        |
| <b>F</b>   |   | 780 mm                         |
| <b>G</b>   |   | 740 mm                         |
| <b>H</b>   | Cage dimensions                             | 790 mm                         |
| <b>I</b>   |   | 1310 mm                        |
| <b>J</b>   |   | 630 mm                         |
| <b>K</b>   | Fixed picking tray dimensions               | 620 mm                         |
| Capacity of storage tray   |   | 20 kg                          |
| Machine weight   |   | 1000 kg                        |
| Power supply   |   | 24 V                           |
| Batteries  |   | Lead-Acid Batteries 12V 105 Ah |
| Battery charger  |   | 110V – 220V 50/60HZ            |
| Climbing ability at height   |   | 2,5%                           |
| <b>L</b>   | Maximum climbing ability                    | 15%                            |
| Drive wheels dimension   |   | Ø 220 x 65 mm                  |
| Swivel wheels dimensions   |   | Ø 200 x 50 mm                  |
| Turning radius   |   | 1540 mm                        |
| Max. speed (rising – descending)   |   | 0,2 m/s                        |
| Maximum shifting speed (on the ground - at height)                         |   | 4 Km/h - 1 Km/h                |
| Max. height of self-movement at a height with the extensible basket closed |   | 4680 mm                        |
| <b>M</b>   | Maximum pressure for wheel at full load*    | 4,2 kN                         |
| Work cycles (with fresh batteries) **                                      |   | 100                            |



\* Maximum pressure whereas the weight of the platform plus the maximum load on the basket are completely distributed on one side of the platform (totally asymmetric load).

\*\* By work cycle we mean a self-propelled movement of 20 m with a full ascent to and descent from the maximum height and with adjustment of the loading platform.



Compliant with **EN280** rule.  
Approved for outdoor use in the absence of wind.