

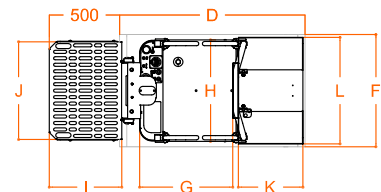
ELEVAH® 65 MOVE picking



ELEVAH® 65 MOVE picking

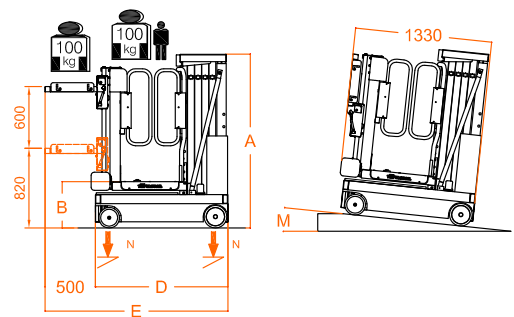
Technical data

Max. working height		6,7 m
Max capacity		200 kg
Number of people		1
Use		Internal - External
A	Closed machine height	1720 mm
B	Minimum platform height	460 mm
C	Maximum platform height	4700 mm
D/E/F	Base overall dimensions	1280 x 1780 x 780mm
G/H	Cage dimensions	640 x 710 mm
Machine weight		830 kg
K/L	Fixed picking tray dimensions	440 x 740 mm
Fixed picking tray capacity		20 kg
Drive wheels dimension		Ø 220 x 65
Swivel wheels dimensions		Ø 200 x 50



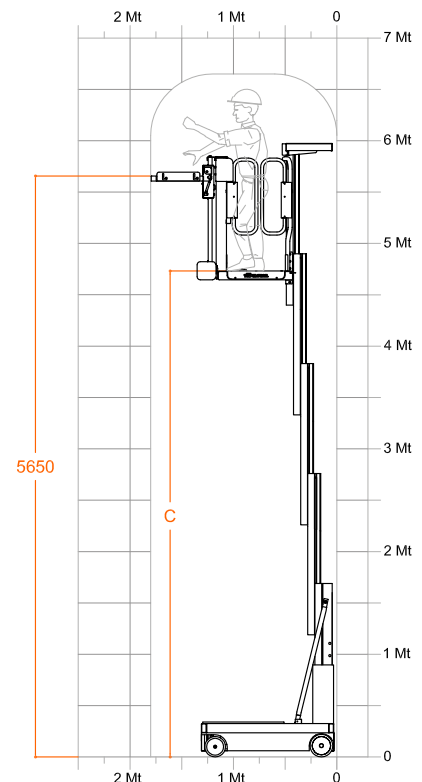
PICKING PLATFORM

Adjustment		electrical
Stroke		600 mm
Min. height from the ground		820 mm
Maximum height from the ground		5650 mm
I/J	Dimensions	500 x 680 mm
Capacity		100 kg



PERFORMANCE

Power supply		electrical
Batteries		Lead-Acid Batteries 12V 105 Ah
Battery charger		110V - 220V
M	Maximum climbing ability	15%
Climbing ability at height		2,5%
Internal turning radius		0
External turning radius		1095 mm
Max. speed (rising – descending)		0,2 m/s
Maximum shifting speed (on the ground - at height)		1 - 0,22 m/s
N	Maximum pressure for wheel at full load*	3,6 kN
Work cycles ** (with fresh batteries)		Ca. 130



* Maximum pressure whereas the weight of the platform plus the maximum load on the basket are completely distributed on one side of the platform (totally asymmetric load).

** By work cycle we mean a self-propelled movement of 20 m with a full ascent to and descent from the maximum height and with adjustment of the loading platform.