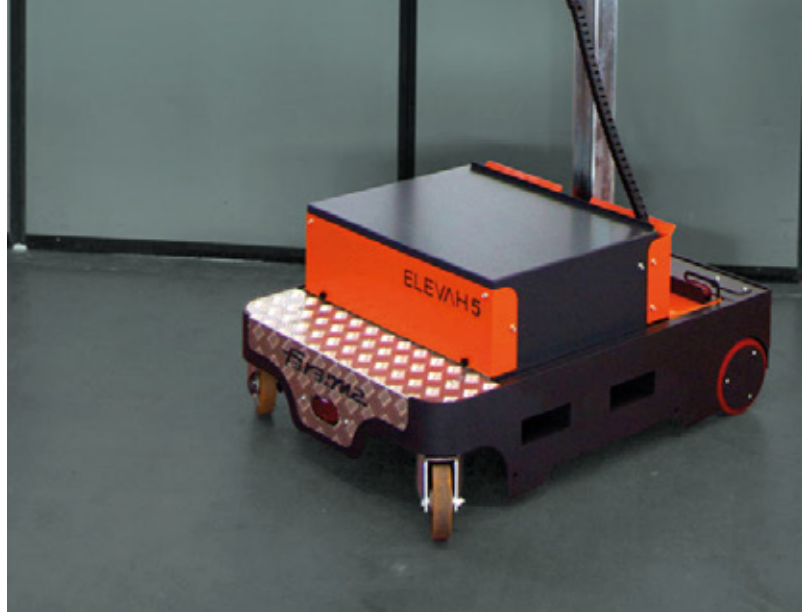


ELEVAH[®]5 MOVE LIGHT



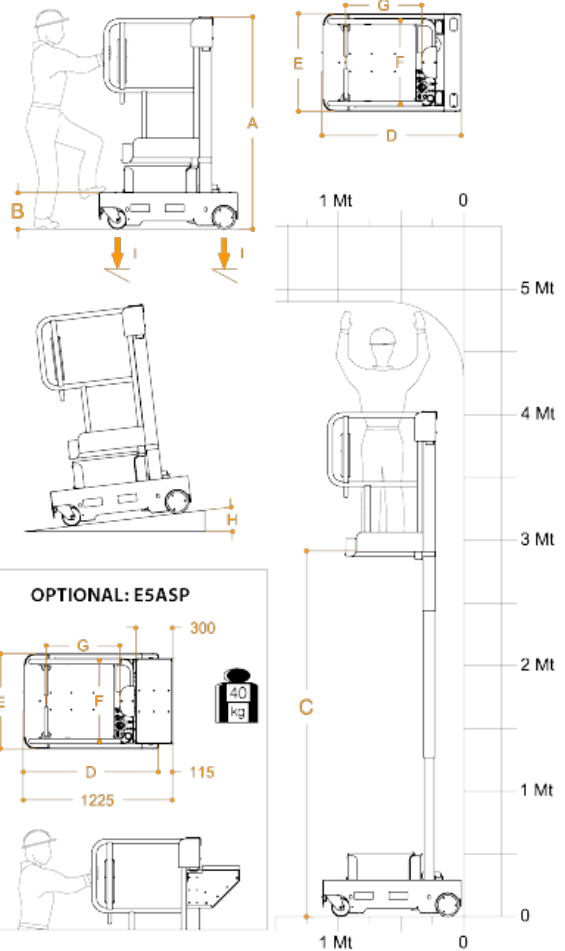
ELEVAH[®] 5 MOVE LIGHT



Max. working height	4,9 m
Max capacity	200 kg
Number of people	1
Use	Internal
A Closed machine height	1690 mm
B Min. height from the ground*	290 mm
C Maximum platform height	2910 mm
D Base overall dimensions	1110 mm
	780 mm
F Cage dimensions	685 mm
	600 mm
Machine weight	388 kg
Drive wheels dimension	Ø 186 x 60 mm
Swivel wheels dimensions	Ø 150 x 40 mm

PERFORMANCE

Power supply	Electrical 24 V
Batteries	2 Trojan Lead-Acid 12V 105 Ah
Battery charger	110V – 220V 50/60HZ
H Maximum climbing ability	15%
Climbing ability at height	1,7% -1°
Internal turning radius	0
Max. speed (rising – descending)	0,2 m/s
Maximum shifting speed	5,5 Km/h
Maximum shifting speed at height	1 Km/h
I Maximum pressure for wheel at full load**	2,1 kN
Work cycles (with fresh batteries) ***	100



* There is an intermediate step.

** Maximum pressure whereas the weight of the platform plus the maximum load on the basket are completely distributed on one side of the platform (totally asymmetric load).

*** By work cycle we mean a self-propelled movement of 20 m with a full ascent to and descent from the maximum height and with adjustment of the loading platform.



Compliant with **EN280** rule.
Approved for outdoor use in the absence of wind.