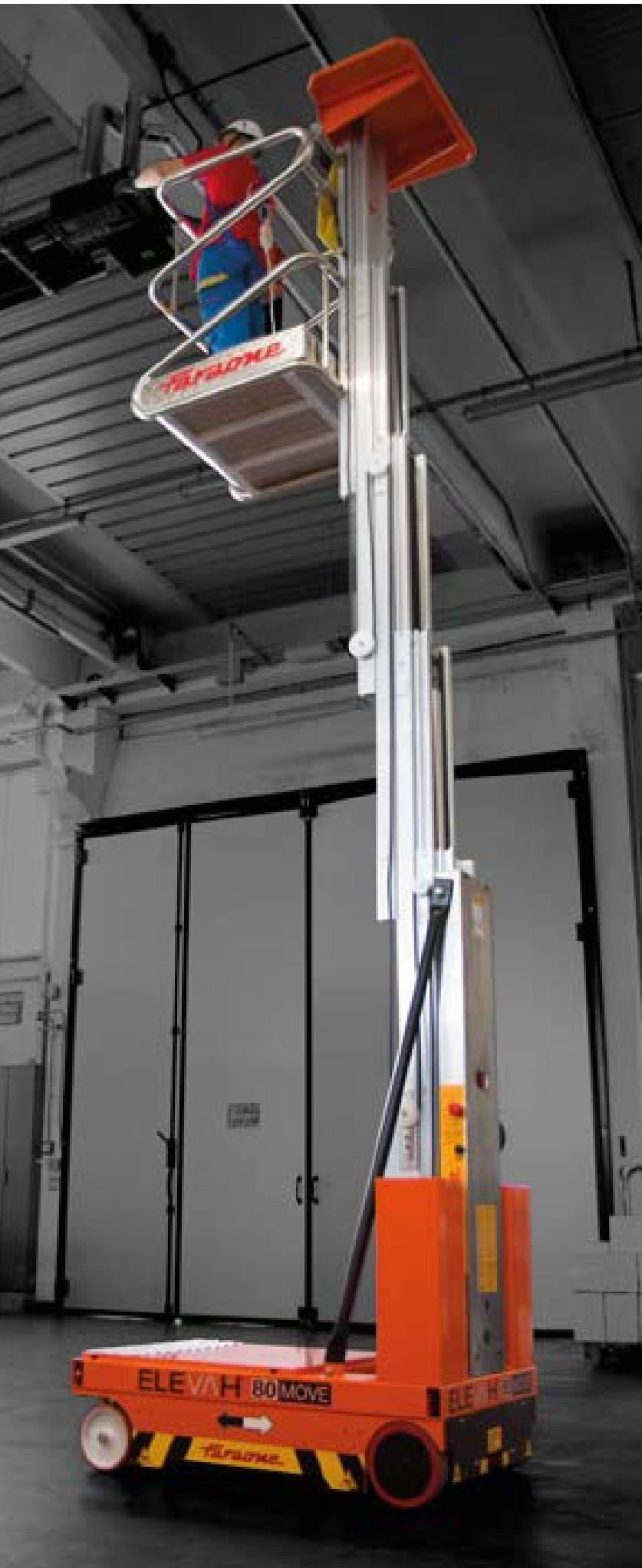


ELEVAH® 80-MOVE



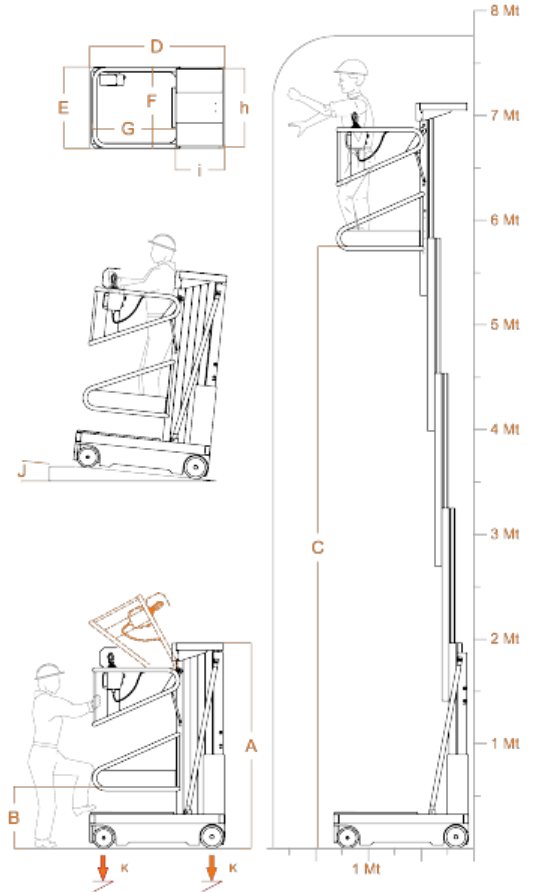
ELEVAH® 80-65 MOVE



Max. working height	7,75 m
Max capacity	200 kg
Number of people	1
Use	Internal
A Closed machine height	2000 mm
B Minimum platform height	600 mm
C Maximum platform height	5750 mm
D Base overall dimensions	1280 mm
	780 mm
F Cage dimensions	770 mm
	790 mm
Machine weight	750 kg
H Fixed picking tray dimensions	740 mm
I	440 mm
Fixed picking tray capacity	20 kg
Drive wheels dimension	Ø 220 x 65 mm
Swivel wheels dimensions	Ø 200 x 50 mm

PERFORMANCE

Power supply	Electrical
Batteries	Lead-Acid Batteries 12V 105 Ah
Battery charger	110V – 220V 50/60HZ
J Maximum climbing ability	15 %
Climbing ability at height	2,5 %
Internal turning radius	0
External turning radius	1095 mm
Max. speed (rising)	0,20 m/s
Max. speed (descending)	0,20 m/s
Maximum shifting speed	4 Km/h
Maximum shifting speed at height	1 Km/h
K Maximum pressure for wheel at full load*	3,3 kN
Work cycles (with fresh batteries)**	130



* Maximum pressure whereas the weight of the platform plus the maximum load on the basket are completely distributed on one side of the platform (totally asymmetric load).

** By work cycle we mean a self-propelled movement of 20 m with a full ascent to and descent from the maximum height and with adjustment of the loading platform.



Compliant with **EN280** rule.
Approved for outdoor use in the absence of wind.