

ELEVAH[®] 5 T.FL



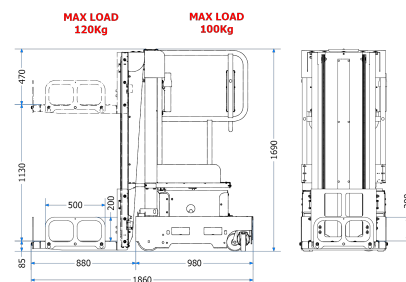
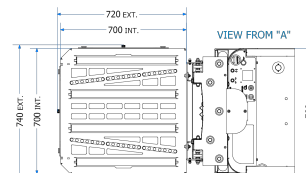
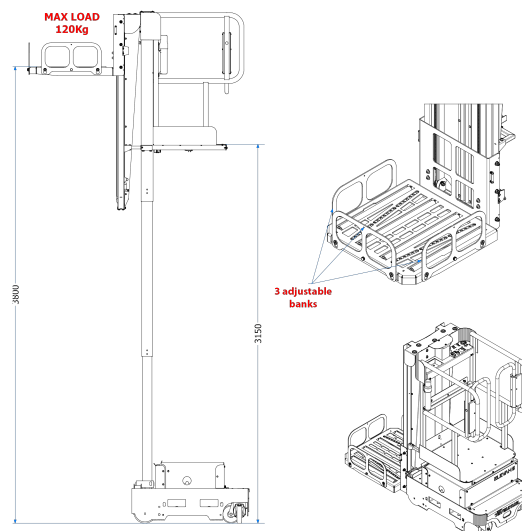
Max. working height		5,15 m
Max capacity		220 kg
Number of people		1
Use		Internal - External
A	Closed machine height	1690 mm
B	Minimum platform height	289 mm
C	Maximum platform height	3150 mm
D	Base overall dimensions	1850 mm
E		740 mm
G	Cage dimensions	685 mm
H		600 mm
Machine weight		810 kg
Drive wheels dimension		Ø 186 x 60 mm
Swivel wheels dimensions		Ø 150 x 40 mm

TOOL GOMME

Adjustment		Electrical
Stroke		1183 mm
Min. height from the ground		45 mm
Maximum height from the ground		3830 mm
I	Dimensions	700 mm
L		700 mm
Capacity		120 kg

PERFORMANCE

Power supply		Electrical
Batteries		Lead-Acid Batteries 12V 105 Ah
Battery charger		110V – 220V
Maximum climbing ability		17%
Climbing ability at height		2,5%
Internal turning radius		0
External turning radius		1150 mm
Max. speed (rising – descending)		0,2 m/s
Maximum speed (with basket on the ground)		4,5 km/h
Maximum pressure for wheel at full load*		2,9 kN
Work cycles (with fresh batteries) **		Ca. 100



* Maximum pressure whereas the weight of the platform plus the maximum load on the basket are completely distributed on one side of the platform (totally asymmetric load).

** By work cycle we mean a self-propelled movement of 20 m with a full ascent to and descent from the maximum height and with adjustment of the loading platform.



Complies with European regulations for man-up forklift trucks. UNI EN ISO 3691-1.